



CROWN PAVILIONS

The World's Finest
Luxury Gazebos™

For year-round alfresco dining,
lounging & entertaining

The marque of excellence



Welcome

Imagine a space where you can escape from the pressures of life, a beautiful outdoor space where you can unwind and enjoy a drink at the end of a busy day – a gloriously indulgent space that you can truly make your own.

Imagine a space, in the very heart of your garden, where you can entertain friends, serve sumptuous suppers and party long into the night. Or, if you prefer the quieter life, a blissful space where you can relax over breakfast, laze away a summer's afternoon or simply sit back and enjoy a good book.

Why Crown?

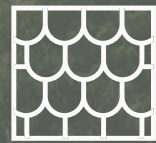
When it's something as special as your own personal haven, you want to be certain that your gazebo won't simply look stunning in the spring, summer and autumn months, but that it will also cope with our British winters, enabling year-round use.

Crown Pavilions is the market leader for the simple reason that we overdeliver on quality and service, at every stage of the design and build, so you take possession of the very best money can buy. The Crown Marque of Excellence also ensures that your new gazebo will remain the smart focal point of your garden, year after year, a source of pride when it comes to welcoming guests into your home and where even the fixtures and fittings go way over and above the industry standards in terms of quality and longevity.

Industry leading value



Thicker Posts
& Handrails



Cedar Tiled
Roofs as
Standard



Fuller Cushions
& Thicker Blinds



Water Resistant
Zips on all Blinds



Water Resistant
Acrylic Fabrics



Installation
Included



“the best that money can buy...”

After looking at numerous Garden Room and luxury wooden gazebo manufacturers on the market we decided to go with Crown Pavilions as their buildings are undoubtedly the best that money can buy and the service level was exceptional.

They exceeded our expectations at every stage. If you are looking for the best garden buildings on the market, then Crown Pavilions is the company to hire!

Lord Alan Sugar
Crown Pavilions Customer





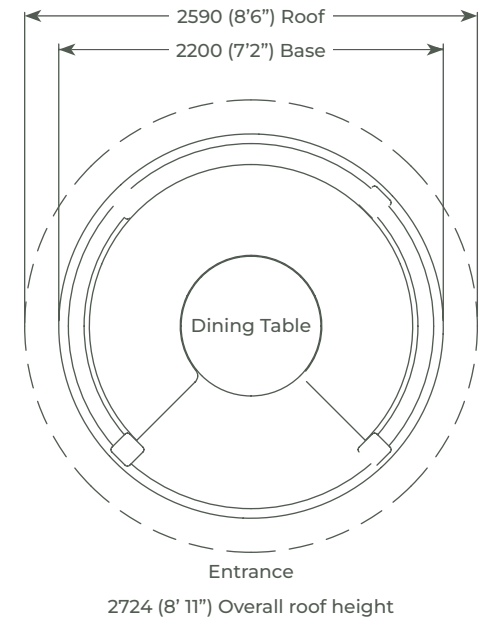
Crown Rose



Flexible Finance Now Available

Seat 2-4

Customise your
cushion and blind
colours



Pavilion package options:

Professional

- Redwood timber framed building
- Cedar tiled or thatched roof
- Underside plywood
- 1 x Entrance
- 3 x Balustrade infills
- 4 x Full length window blinds
- 3 x Dining benches
- Full set of cushions
- Fixed table

Premium

- Redwood timber framed building
- Cedar tiled or thatched roof
- Underside cladding
- 1 x Entrance
- 3 x Balustrade infills
- 4 x Full length window blinds
- 3 x Dining benches
- Full set of cushions
- Fixed table (with glass top)
- Most popular infill selections included above. Any other configuration of infill panels available on request. Including full clad panel / half-clad and half Perspex / blinds and balustrades.

Package Price:
£11,850 Inc. VAT

Package Price:
£12,900 Inc. VAT

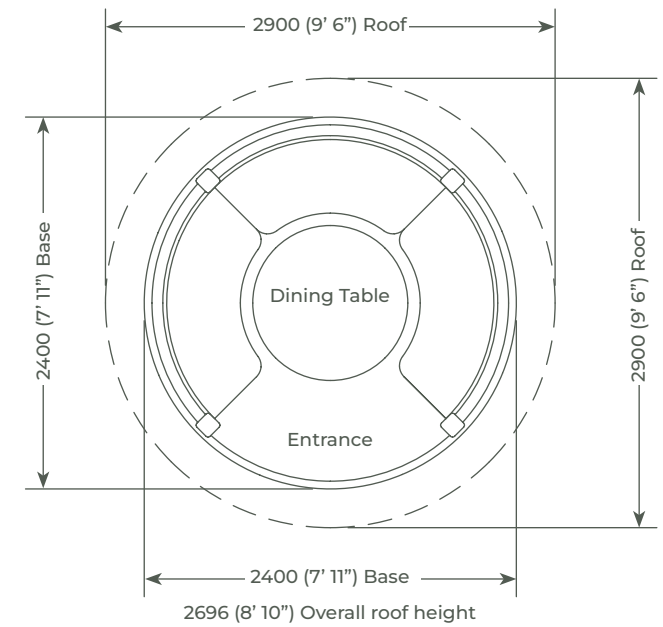
*Professional model shown above

Crown Chelsea



Flexible Finance Now Available

Seat 4-6



Pavilion package options:

Professional

- Redwood timber framed building
- Cedar tiled or thatched roof
- Underside plywood
- 1 x Entrance
- 3 x Balustrade infills
- 4 x Full length window blinds
- 3 x Dining benches
- Full set of cushions
- Fixed table

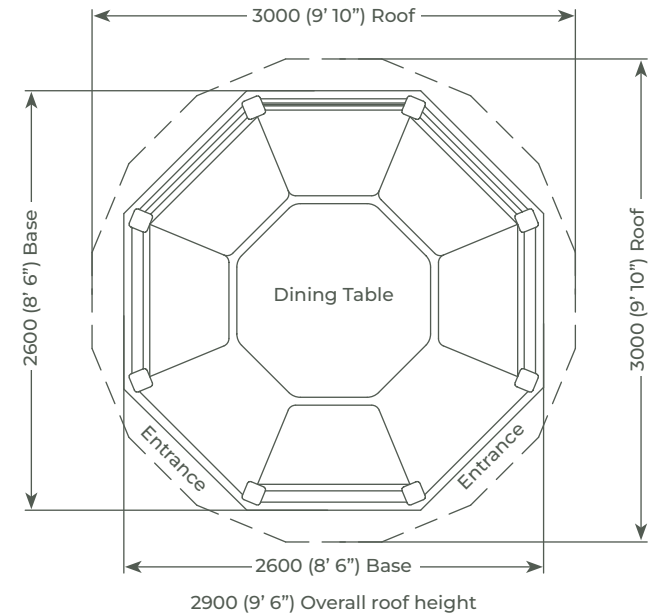
Package Price:
£13,100 Inc. VAT

Premium

- Redwood timber framed building
- Cedar tiled or thatched roof
- Underside cladding
- 1 x Entrance
- 3 x Balustrade infills
- 4 x Full length window blinds
- 3 x Dining benches
- Full set of cushions
- Fixed table (with glass top)
- Most popular infill selections included above. Any other configuration of infill panels available on request. Including full clad panel / half-clad and half Perspex / blinds and balustrades.

Package Price:
£14,300 Inc. VAT

*Professional model shown above



Pavilion package options:

Professional

- Redwood timber framed building
- Cedar tiled or thatched roof
- Underside plywood
- 2 x Entrance
- 5 x Full length window blinds
- 6 x Dining benches
- Full set of cushions
- 1 x Table
- 3 x Balustrade infills
- 1 x Full clad panel infill
- 2 x ½ clad & ½ plexiglass panel infills

Premium

- Redwood timber framed building
- Cedar tiled or thatched roof
- Underside cladding
- 2 x Entrance
- 3 x Balustrade infills
- 8 x Full length window blinds
- 6 x Dining benches
- Full set of cushions
- 1 x Table (with glass top)
- Most popular infill selections included above. Any other configuration of infill panels available on request. Including full clad panel / half-clad and half Perspex / blinds and balustrades.

Package Price:
£15,100 Inc. VAT

Package Price:
£16,550 Inc. VAT

Crown Elizabeth



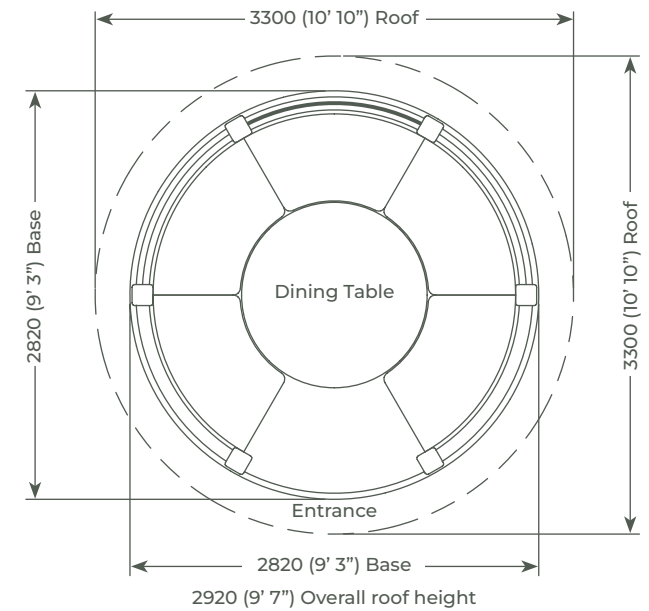
Flexible Finance Now Available

Seat 6-8



The marque of excellence

Thicker posts & handrails
Fuller cushions
Marine grade zipped
blinds



Pavilion package options:

Professional

- Redwood timber framed building
- Cedar tiled or thatched roof
- Underside plywood
- 1 x Entrance
- 3 x Full length window blinds
- 5 x Dining benches
- Full set of cushions
- 1 x Table
- 2 x Balustrade infills
- 1 x Full clad panel infill
- 2 x ½ clad & ½ plexiglass panel infills

Package Price:
£17,150 Inc. VAT

Premium

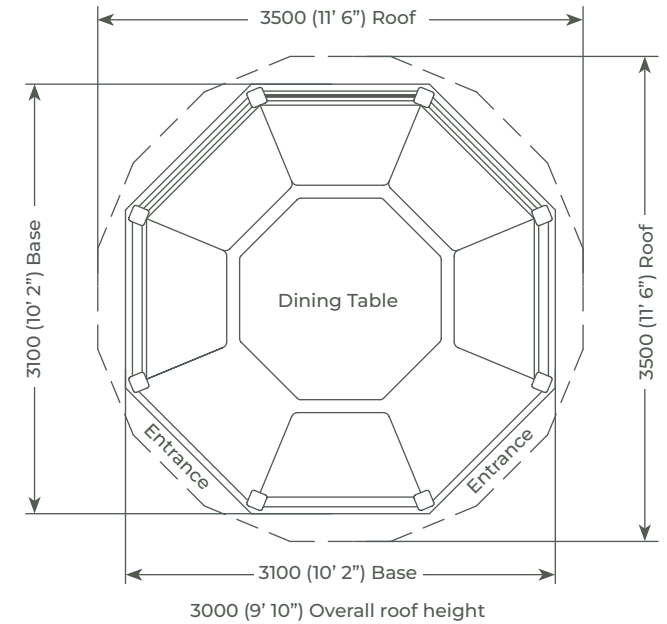
- Redwood timber framed building
- Cedar tiled or thatched roof
- Underside cladding
- 1 x Entrance
- 5 x Balustrade infills
- 6 x Full length window blinds
- 5 x Dining benches
- Full set of cushions
- 1 x Table (with glass top)
- Most popular infill selections included above. Any other configuration of infill panels available on request. Including full clad panel / half-clad and half Perspex / blinds and balustrades.

Package Price:
£18,600 Inc. VAT

*Premium model shown above




The marque of excellence
 Thicker posts & handrails
 Fuller cushions
 Marine grade zipped
 blinds



Pavilion package options:

Professional

- Redwood timber framed building
- Cedar tiled or thatched roof
- Underside plywood
- 2 x Entrance
- 5 x Full length window blinds
- 6 x Dining benches
- Full set of cushions
- 1 x Table
- 3 x Balustrade infills
- 1 x Full clad panel infill
- 2 x ½ clad & ½ plexiglass panel infills

Package Price:
£17,750 Inc. VAT

Premium

- Redwood timber framed building
- Cedar tiled or thatched roof
- Underside cladding
- 2 x Entrance
- 8 x Full length window blinds
- 6 x Dining benches
- Full set of cushions
- 1 x Table (with glass top)
- 6 x Balustrade infills
- Most popular infill selections included above. Any other configuration of infill panels available on request. Including full clad panel / half-clad and half Perspex / blinds and balustrades.

Package Price:
£19,050 Inc. VAT

*Premium model shown above

Crown Edward

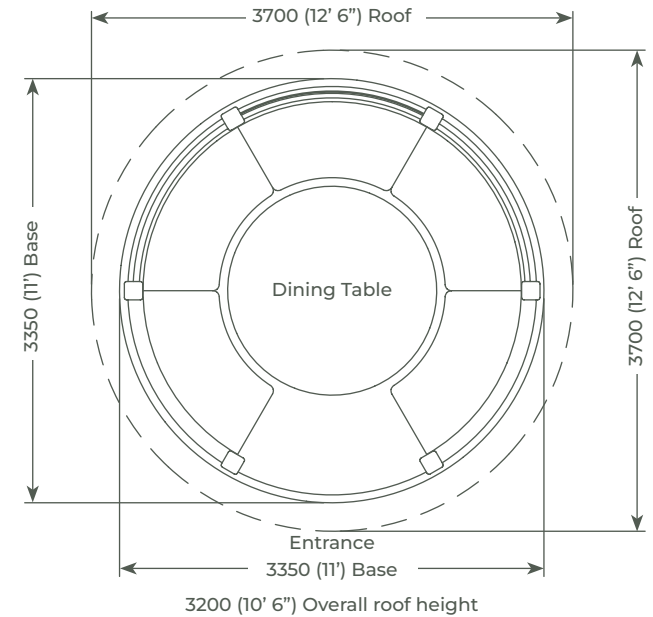


Flexible Finance Now Available

Seat 8-10



Customise your
cushion and blind
colours



Pavilion package options:

Professional

- Redwood timber framed building
- Cedar tiled or thatched roof
- Underside plywood
- 1 x Entrance
- 3 x Full length window blinds
- 5 x Dining benches
- Full set of cushions
- 1 x Table
- 2 x Balustrade infills
- 1 x Full clad panel infill
- 2 x ½ clad & ½ plexiglass panel infills

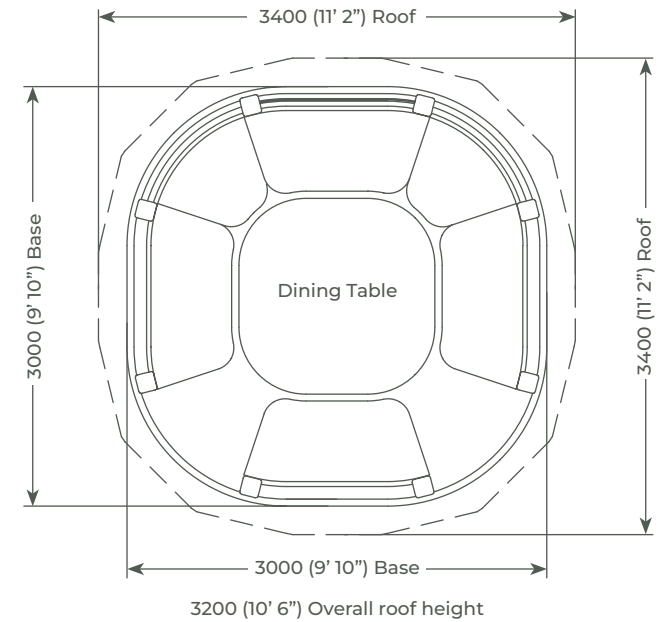
Package Price:
£20,500 Inc. VAT

Premium

- Redwood timber framed building
- Cedar tiled or thatched roof
- Underside cladding
- 1 x Entrance
- 6 x Full length window blinds
- 5 x Dining benches
- Full set of cushions
- 1 x Table (with glass top)
- 5 x Balustrade infills
- Most popular infill selections included above. Any other configuration of infill panels available on request. Including full clad panel / half-clad and half Perspex / blinds and balustrades.

Package Price:
£22,100 Inc. VAT

*Premium model shown above



Pavilion package options:

Professional

- Redwood timber framed building
- Cedar tiled or thatched roof
- Underside plywood
- 2 x Entrance
- 5 x Full length window blinds
- 6 x Dining benches
- Full set of cushions
- 1 x Table
- 3 x Balustrade infills
- 1 x Full clad panel infill
- 2 x ½ clad & ½ plexiglass panel infills

Premium

- Redwood timber framed building
- Cedar tiled or thatched roof
- Underside cladding
- 2 x Entrance
- 8 x Full length window blinds
- 6 x Dining benches
- Full set of cushions
- 1 x Table (with glass top)
- 6 x Balustrade infills
- Most popular infill selections included above. Any other configuration of infill panels available on request. Including full clad panel / half-clad and half Perspex / blinds and balustrades.

Package Price:
£21,450 Inc. VAT

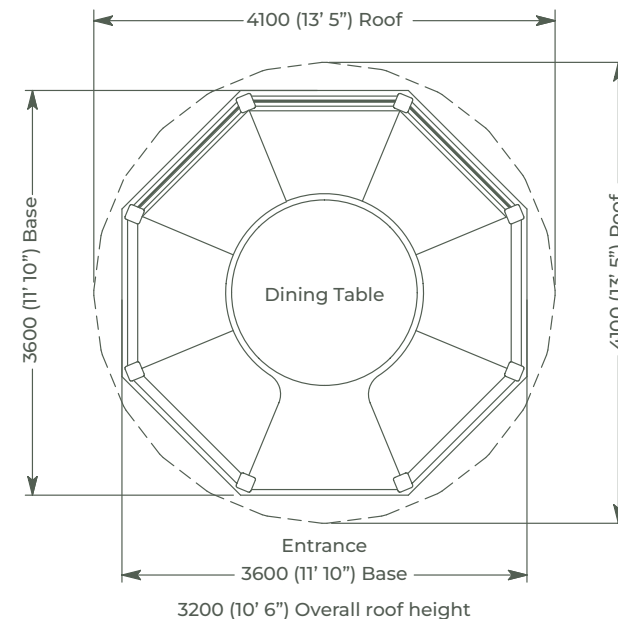
Package Price:
£22,900 Inc. VAT

Crown Wentworth (Raised)



Flexible Finance Now Available

Seat 11-14



Pavilion package options:

Professional

- Redwood timber framed building
- Cedar tiled or thatched roof
- Underside plywood
- 1 x Entrance
- 5 x Full length window blinds
- 5 x Dining benches
- Full set of cushions
- 1 x Table
- 4 x Balustrade infills
- 1 x Full clad panel infill
- 2 x ½ clad & ½ plexiglass panel infills
- Raised steps & balustrades

Premium

- Redwood timber framed building
- Cedar tiled or thatched roof
- Underside cladding
- 1 x Entrance
- 8 x Full length window blinds
- 5 x Dining benches
- Full set of cushions
- 1 x Table (with glass top)
- 7 x Balustrade infills
- Most popular infill selections included above. Any other configuration of infill panels available on request. Including full clad panel / half-clad and half Perspex / blinds and balustrades.

Package Price:
£26,550 Inc. VAT

Package Price:
£28,100 Inc. VAT

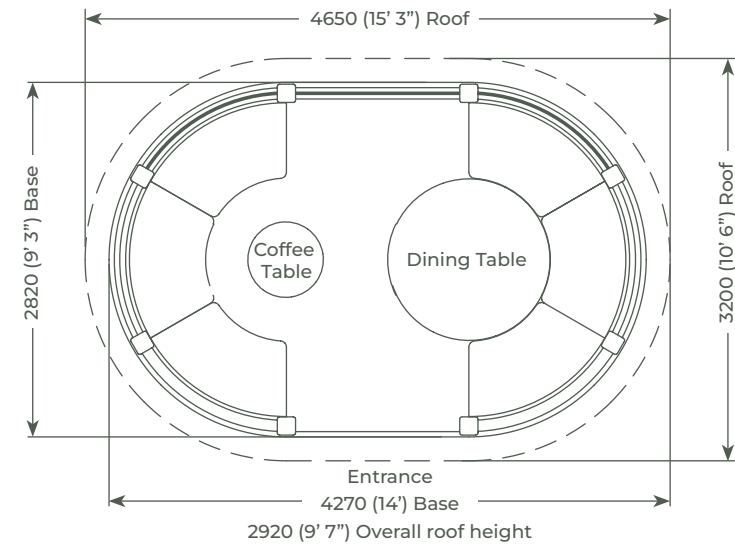
*Premium model shown above
*Dining benches replace polywicker furniture

Crown Ascot



Flexible Finance Now Available

Seat 8



Pavilion package options:

Professional

- Redwood timber framed building
- Cedar tiled or thatched roof
- Underside plywood
- 1 x Entrance
- 2 x Balustrade infills
- 3 x Full clad panel infills
- 2 x ½ clad & ½ plexiglass panel infills
- 3 x Full length window blinds
- 3 x Dining benches
- 3 x Sofa benches
- Full set of cushions
- 1 x Dining Table
- 1 x Coffee Table

Package Price:
£22,850 Inc. VAT

Premium

- Redwood timber framed building
- Cedar tiled or thatched roof
- Underside cladding
- 1 x Entrance
- 4 x Balustrade infills
- 1 x Full clad panel infill
- 2 x ½ clad & ½ plexiglass panel infills
- 5 x Full length window blinds
- 3 x Dining benches
- 3 x Sofa benches (with cladding)
- Full set of cushions
- 1 x Dining Table (with glass top)
- 1 x Coffee Table (with glass top & cladded base)
- 2 x Stools
- Most popular infill selections included above. Any other configuration of infill panels available on request. Including full clad panel / half-clad and half Perspex / blinds and balustrades.

Package Price:
£25,050 Inc. VAT

*Professional model shown above

Crown Eden



Flexible Finance Now Available

Seat 12

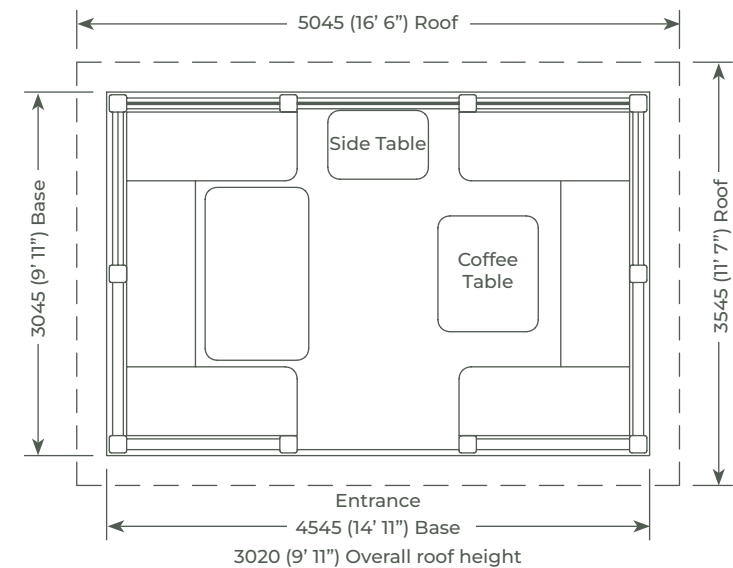


The marque of excellence

Thicker posts & handrails
Fuller cushions
Marine grade zipped
blinds



*Professional model shown above



Pavilion package options:

Professional

- Redwood timber framed building
- Cedar tiled or thatched roof
- Underside plywood
- 1 x Entrance
- 4 x Balustrade infills
- 3 x Full clad panel infill
- 2 x ½ clad & ½ plexiglass panel infills
- 5 x Full length window blinds
- 3 x Dining benches
- 3 x Sofa benches
- 2 x Stools
- Full set of cushions
- 1 x Dining Table
- 1 x Coffee Table
- 1 x Slide table with cushion

Package Price:
£27,700 Inc. VAT

Premium

- Redwood timber framed building
- Cedar tiled or thatched roof
- Underside cladding
- 1 x Entrance
- 4 x Balustrade infills
- 3 x Full clad panel infill
- 2 x ½ clad & ½ plexiglass panel infills
- 5 x Full length window blinds
- 3 x Dining benches
- 3 x Sofa benches (with cladding)
- 2 x Stools
- Full set of cushions
- 1 x Dining Table (with glass top)
- 1 x Coffee Table (with glass top & clad base)
- 1 x Side table with cushion
- Most popular infill selections included above. Any other configuration of infill panels available on request. Including full clad panel / half-clad and half Perspex / blinds and balustrades.

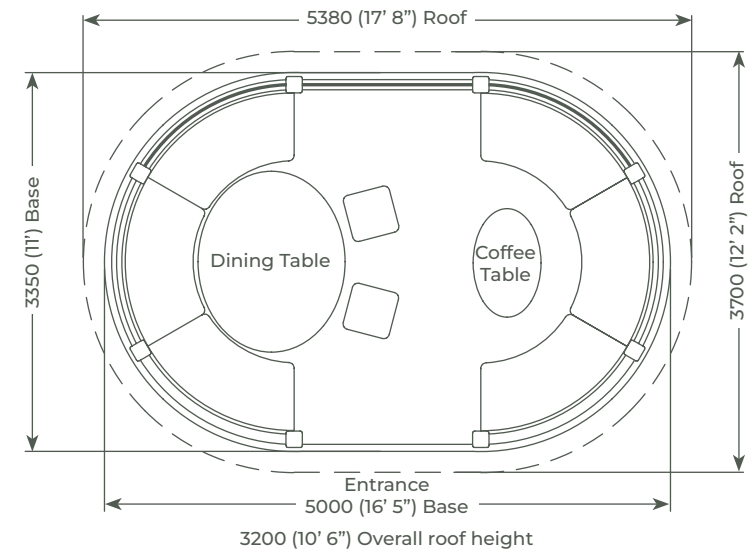
Package Price:
£29,750 Inc. VAT

Crown Windsor



Flexible Finance Now Available

Seat 10



Pavilion package options:

Professional

- Redwood timber framed building
- Cedar tiled or thatched roof
- Underside plywood
- 1 x Entrance
- 2 x Balustrade infills
- 3 x Full clad panel infills
- 2 x ½ clad & ½ plexiglass panel infills
- 3 x Full length window blinds
- 3 x Dining benches
- 3 x Sofa benches
- 2 x Stools
- Full set of cushions
- 1 x Dining Table
- 1 x Coffee Table

Premium

- Redwood timber framed building
- Cedar tiled or thatched roof
- Underside cladding
- 1 x Entrance
- 2 x Balustrade infills
- 3 x Full clad panel infills
- 2 x ½ clad & ½ plexiglass panel infills
- 3 x Full length window blinds
- 3 x Dining benches
- 3 x Sofa benches (with cladding)
- Full set of cushions
- 1 x Dining Table (with glass top)
- 1 x Coffee Table (with glass top & clad base)
- 2 x Stools
- Most popular infill selections included above. Any other configuration of infill panels available on request. Including full clad panel / half-clad and half Perspex / blinds and balustrades.

Package Price:
£29,250 Inc. VAT

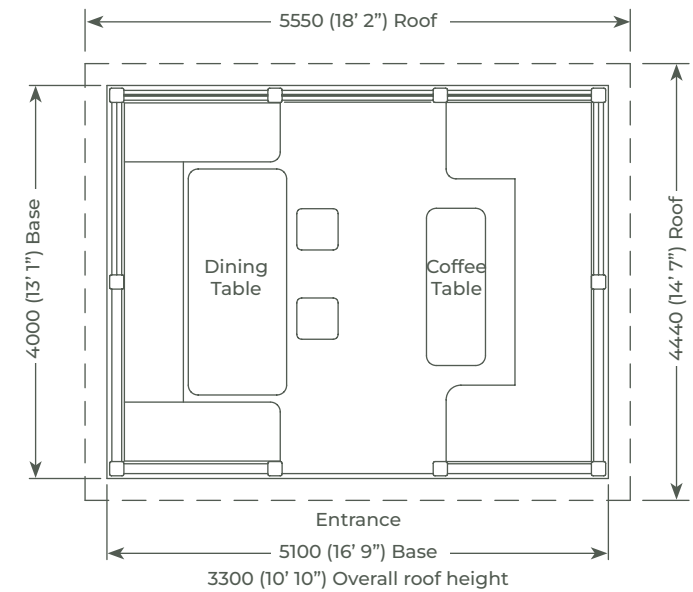
Package Price:
£31,200 Inc. VAT

*Premium model shown above



The marque of excellence

- Thicker posts & handrails
- Fuller cushions
- Marine grade zipped blinds



Pavilion package options:

Professional

- Redwood timber framed building
- Cedar tiled or thatched roof
- Underside plywood
- 1 x Entrance
- 4 x Balustrade infills
- 3 x Full clad panel infill
- 2 x ½ clad & ½ plexiglass panel infills
- 5 x Full length window blinds
- 3 x Dining benches
- 3 x Sofa benches
- 2 x Stools
- Full set of cushions
- 1 x Timber dining table
- 1 x Timber coffee table

Premium

- Redwood timber framed building
- Cedar tiled or thatched roof
- Underside cladding
- 1 x Entrance
- 4 x Balustrade infills
- 3 x Full clad panel infill
- 2 x ½ clad & ½ plexiglass panel infills
- 5 x Full length window blinds
- 3 x Dining benches
- 3 x Sofa benches (with cladding)
- 2 x Stools
- Full set of cushions
- 1 x Timber dining table (with glass top)
- 1 x Timber coffee table (with glass top & cladded base)
- Most popular infill selections included above. Any other configuration of infill panels available on request. Including full clad panel / half-clad and half Perspex / blinds and balustrades.

Package Price:
£35,700 Inc. VAT

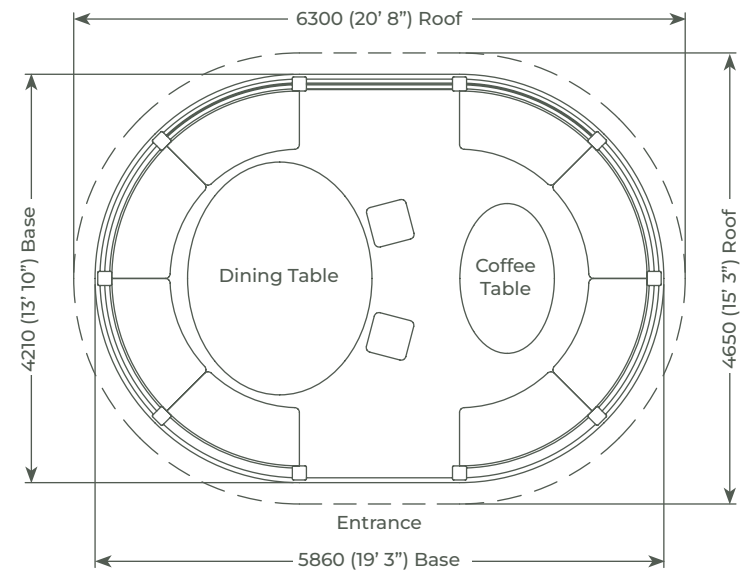
Package Price:
£39,100 Inc. VAT

Crown Hampton



Flexible Finance Now Available

Seat 8-14



3300 (10' 10") Overall roof height

Pavilion package options:

Professional

- Redwood timber framed building
- Cedar tiled or thatched roof
- Underside plywood
- 1 x Entrance
- 2 x Balustrade infills
- 3 x Full clad panel infills
- 4 x ½ clad & ½ plexiglass panel infills
- 3 x Full length window blinds
- 4 x Dining benches
- 4 x Sofa benches
- 2 x Stools
- Full set of cushions
- 1 x Dining table
- 1 x Coffee table

Premium

- Redwood timber framed building
- Cedar tiled or thatched roof
- Underside cladding
- 1 x Entrance
- 4 x Balustrade infills
- 3 x Full clad panel infills
- 2 x ½ clad & ½ plexiglass panel infills
- 5 x Full length window blinds
- 4 x Dining benches
- 4 x Sofa benches (with cladding)
- 2 x Stools
- Full set of cushions
- 1 x Dining table (with glass top)
- 1 x Coffee table (with glass top & clad base)
- Most popular infill selections included above. Any other configuration of infill panels available on request. Including full clad panel / half-clad and half Perspex / blinds and balustrades.

Package Price:
£35,400 Inc. VAT

Package Price:
£40,150 Inc. VAT

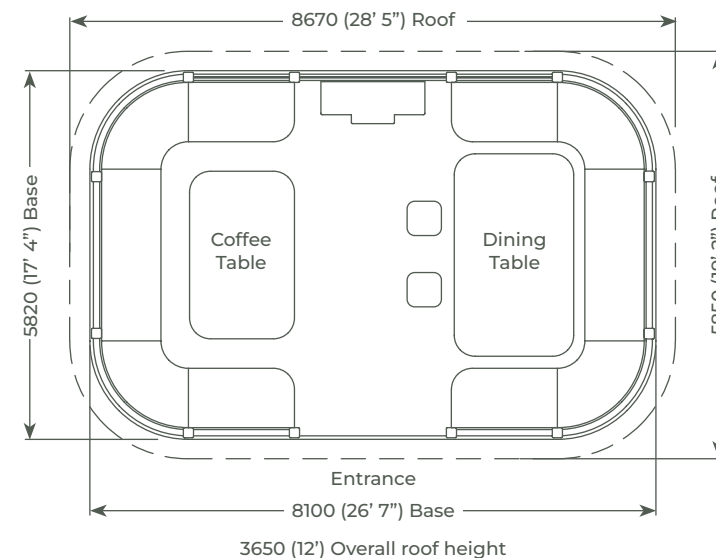
*Premium model shown above

Crown Versailles



Flexible Finance Now Available

Seat 12-15



Pavilion package options:

Professional

- Redwood timber framed building
- Cedar tiled or thatched roof
- Underside cladding
- 1 x Entrance
- 8 x Balustrade infills
- 3 x Full clad panel infills
- 9 x Full length window blinds
- 5 x Dining benches or Polywicker chairs
- 5 x Sofa benches with cladding
- 2 x Stools
- Full set of cushions
- 1 x Timber dining table
- 1 x Timber coffee table

Premium

- Redwood timber framed building
- Cedar tiled or thatched roof
- Underside cladding
- 1 x Entrance
- 8 x Balustrade infills
- 3 x Full clad panel infills
- 9 x Full length window blinds
- 5 x Dining benches or Polywicker chairs
- 5 x Sofa benches (with cladding)
- 2 x Stools
- Full set of cushions
- 1 x Timber dining table (with glass top)
- 1 x Timber coffee table (with glass top & cladded base)
- Most popular infill selections included above. Any other configuration of infill panels available on request. Including full clad panel / half-clad and half Perspex / blinds and balustrades.

Package Price:
£73,800 Inc. VAT

Package Price:
£81,400 Inc. VAT

*Dining table and seating replaces hot tub in professional & premium models

Included Accessories



Thatch option (no extra charge)



Half clad & half perspex infill panel



Full clad infill panel



Balustrade and marine canvas blind infill



Timber stool with matching cushion



6mm toughened glass table top to fit your dining table (Premium range only)



Marine grade acrylic canvas blinds with zips as standard



Elasticated toggle



Redwood underside roof cladding (*Premium Range only)



Marine grade plywood underside (*Professional Range only)

Colours

Cushions, piping and blinds are available in any combination of the colours below so you can mix and match to create your own interior look.

Green



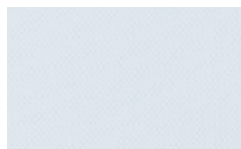
Burgundy



Beige



Ivory



Navy



Taupe



*Please request a colour swatch from our team for accurate colours

Optional Accessories



Electric 3(kW)
infrared heater with spotlight



Electric 3/6(kW)
infrared heater with spotlight



Timber side cabinet, wine shelves
& space for wine cooler
L-Shape



Timber side cabinet, wine shelves
& space for wine cooler
T-Shape

Smokeless BBQ Collection

Discover our Smokeless BBQ Collection — designed for refined, smoke-free cooking, seamlessly integrated within your pavilion.



Single Grill

Dimensions:
Oval (1300 x 1600 mm)
Rectangular (1448 x 868 mm)

*A more compact option,
suited to everyday use.*



Double Grill

Dimensions:
Rectangular (2300 x 1000 mm)
Oval (1600 x 2000 mm)

*A larger format, ideal for
hosting and entertaining.*

Smokeless BBQ unit is available to purchase standalone. Contact our team today for full specifications

The Smokeless BBQ Collection



The Smokeless BBQ Collection

A refined, smoke-free way to cook and entertain, designed to sit seamlessly within our pavilions.

An integrated extraction system helps to reduce smoke at source, creating a clean and comfortable space to enjoy cooking and dining together, whatever the season.

Single Grill

A more compact option, suited to everyday use

Double Grill

A larger format, ideal for hosting and entertaining

Available across **Crown Eden, Crown Windsor, Crown Hampton, Crown Orangery, Crown Weybridge and Crown Kensington**

Designed to integrate effortlessly within your pavilion, with built-in grease management for a cleaner cooking experience and comfortable year-round use.

A more refined way to cook.

Visit crownpavilions.com for exclusive offers

The Smokeless BBQ Collection



Available across Crown Eden, Crown Windsor, Crown Hampton, Crown Orangery, Crown Weybridge and Crown Kensington



Crown Eden

Single Grill

Dimensions:
(1448 x 868 mm)

Available for
Professional package

And available for
Premium Package



Crown Windsor

Single Grill

Dimensions:
(1300 x 1600 mm)

Available for
Professional package

And available for
Premium Package



Crown Orangery

Double Grill

Dimensions:
(2300 x 1000 mm)

Available for
Professional package

And available for
Premium Package



Crown Hampton

Double Grill

Dimensions:
(1600 x 2000 mm)

Available for
Professional package

And available for
Premium Package



Crown Weybridge

Single Grill

Dimensions:
(1448 x 868 mm)



Crown Kensington

Double Grill

Dimensions:
(2300 x 1000mm)

Smokeless BBQ unit is available to purchase standalone. Contact our team today for full specifications

Summer House Collection



*BBQ area not included

Our Summer House Collection is a unique combination of style and utility. A fully enclosed building with windows and doors and optional furniture you can use as you wish.



The marque of excellence

Flexibility – Use as an office, man-cave, she-shed, den, yoga studio, summer house or dining & entertaining space

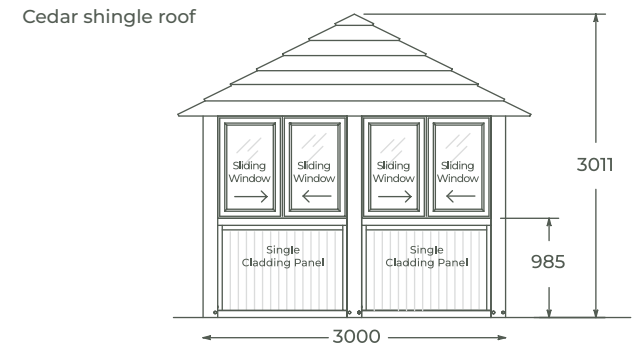
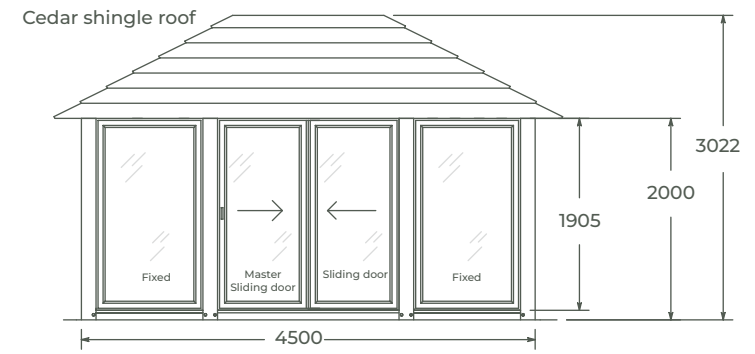
Convenience – No complicated groundworks and fast installation (1-2 days)

Style – The Crown signature cedar-tiled pitched roof and a beautiful vaulted, timber-framed ceiling with premium cladding

Crown Weybridge (4.5m x 3m)



*Ask about heating



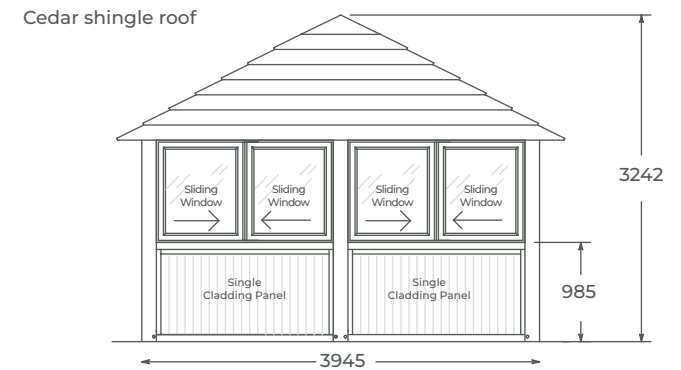
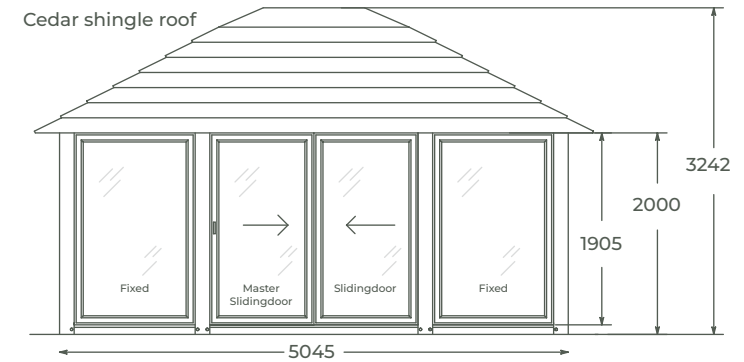
Package Includes:

- Premium Redwood timber structure
- Cedar tiled pitched roof
- Redwood cladding on underside of roof
- 1 x sliding set of doors (entrance) with a grey aluminium frame and 6mm toughened glass (single panel)
- 2 x fixed windows with a grey aluminium frame and 6mm toughened glass (single panel)
- 4 x half clad (single skin) / half sliding windows (6mm toughened single panel)
- 3 x full timber clad back wall (single skin)
- Combined dining & lounging furniture package, including FREE glass table-tops
- Installation (Mainland England & Wales)

Package Price:
£33,100 Inc. VAT

Visit crownpavilions.com for exclusive offers

Crown Kensington (5m x 4m)



Package Includes:

- Premium Redwood timber structure
- Cedar tiled pitched roof
- Redwood cladding on underside of roof
- 1 x sliding set of doors (entrance) with a grey aluminium frame and 6mm toughened glass (single panel)
- 2 x fixed windows with a grey aluminium frame and 6mm toughened glass (single panel)
- 4 x half clad (single skin) / half sliding windows (6mm toughened single panel)
- 3 x full timber clad back wall (single skin)
- Combined dining & lounging furniture package, including FREE glass table-tops
- Installation (Mainland England & Wales)

Package Price:
£41,700 Inc. VAT

Visit crownpavilions.com for exclusive offers

Internal Furniture (Optional)



*Kensington pictured above (Weybridge is supplied with 2 x stools)



Dining Package (see image on left)

- Timber dining table
- 3 x Dining benches
- Full set of bench & sofa back cushions (choice of colours)
- 3 x Stools with cushions

Lounging Package (see image above)

- Timber coffee table with cladding
- 3 x sofa benches
- Full set of bench & sofa back cushions (choice of colours)

Dining & Lounging Package

Includes above packages plus free toughened glass table-tops for dining & coffee table

Visit crownpavilions.com for exclusive offers

The possibilities are endless with Crown Pavilions – Go Bespoke



NEW St. Tropez



Flexible Finance Now Available

The St. Tropez is an exciting new building. Available in a range of configurations so it can be used as a hot tub shelter or dining and entertaining space



- Redwood timber framed building (4.5m x 3m)
- EPDM roof with cladded underside
- 2m x 2m pyramid skylight (dark grey frame)
- 2 x sliding aluminium doors (dark grey)
- Bar top and 4 x bar stools with cushions
- Available with or without hot tub

Package Price:
£26,250 Inc. VAT

Contact our team today for
full specifications

Why Choose a Crown EcoGrid Foundation?

- Lower cost alternative to a concrete base.
- Ecobase creates much less mess in the garden than installing a concrete base – the garden returns to its natural attractive state much more quickly.
- No need to find a local contractor to lay the base as Crown Pavilions in house team will lay it instead.
- Your gazebo can be installed more quickly, as there is no base contractor's lead time nor concrete slab base curing time to factor in.
- By using a 100% recycled and reusable plastic grid system for the base, you are helping the environment.
- Better for the gazebo - the floor bearers of the gazebo are preserved for longer by siting them on Ecobase's honey comb structure on which rainwater cannot puddle (if the concrete base is not installed correctly)
- Encourages the use of a French drain around the perimeter of the building which would reduce unsightly rainwater splashback on the lower timbers of the gazebo.



Apricot



Cotswold



Dove Grey



Flamingo



Golden Flint



Ice Blue



Multi Mix



Polar White



Yorkshire
Cream

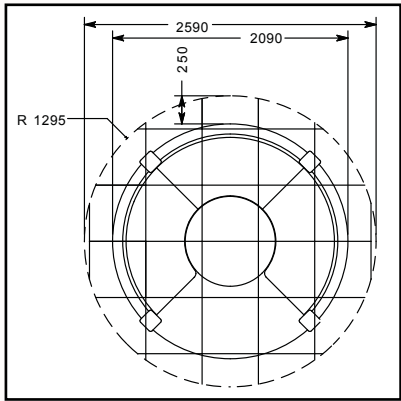
Crown Eco Grids Pricing

All below prices are subject to a site survey and ground screw test which incurs a one off payment of **£460** (inc VAT) to determine ground suitability.

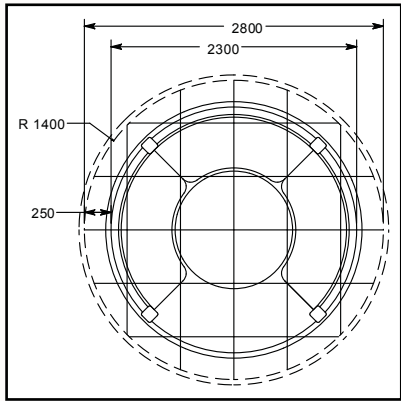
	(£) RRP	Exclusive Offer*
Rose	3,000	2,750
Chelsea	3,000	2,750
Tudor	3,200	2,850
Elizabeth	3,200	2,850
Guinevere	3,300	2,950
Edward	3,500	3,150
Wolsey	3,300	2,950
Ascot	3,700	3,300
Eden	5,000	4,400
Windsor	6,300	5,600
Hampton	7,000	6,300
Weybridge	5,000	4,400
Kensington	5,500	4,850

*Our exclusive offer is for **Crown Pavilions customers only**

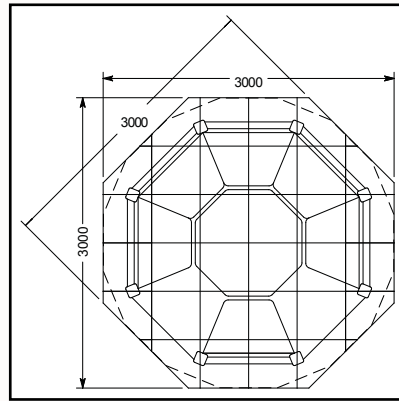
Please note that our Eco Grids are only suitable on pre-existing flat and level ground. If your ground is uneven or has a fall in any direction, please either contract a local builder to level and compact the ground or our team can quote to do this as an additional service prior to our Eco Grid team arriving on site to carry out your installation. Please note that if the ground is not level and compact on our arrival we may not be able to carry out the installation and additional charges may be incurred if we need to return at a later stage. Please feel free to contact us if there is any doubt and we would be delighted to assist you further.



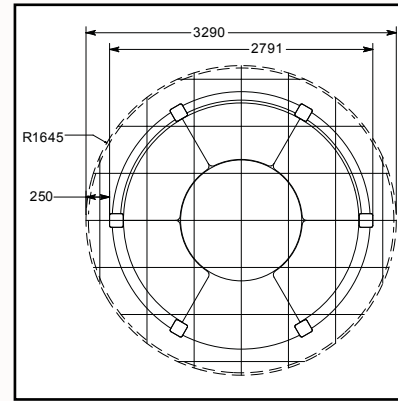
Rose



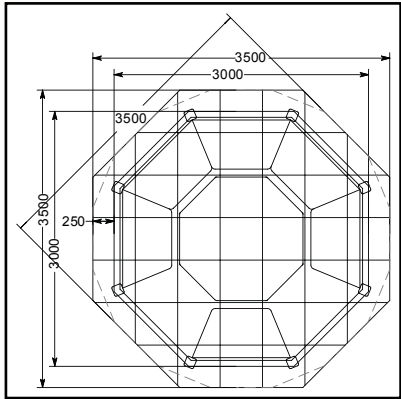
Chelsea



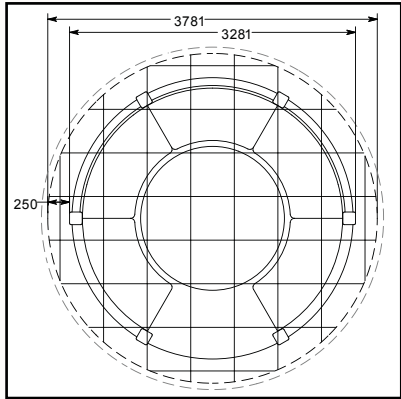
Tudor



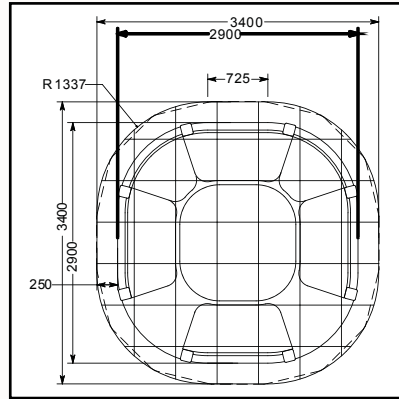
Elizabeth



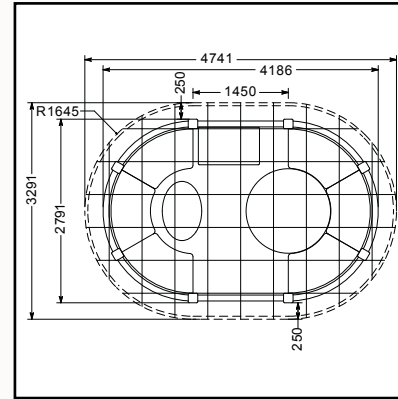
Guinevere



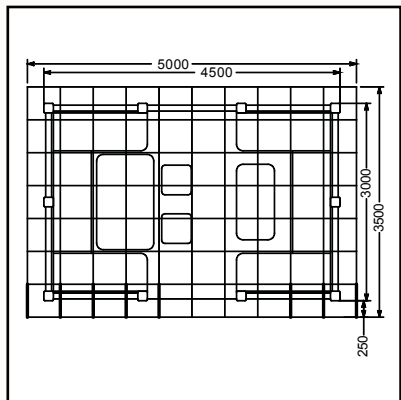
Edward



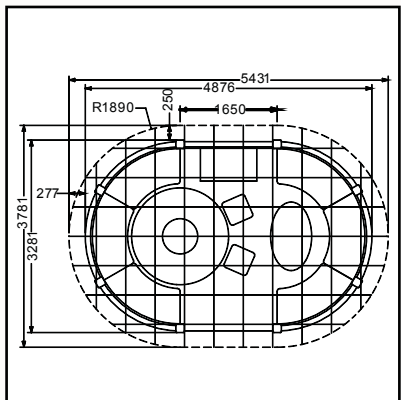
Wolsey



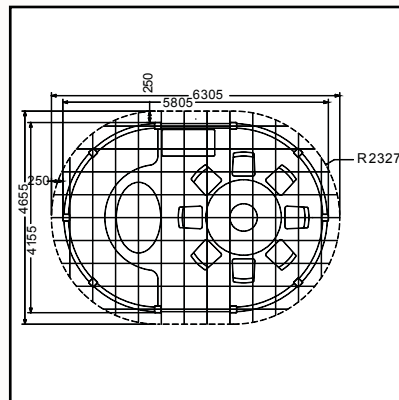
Ascot



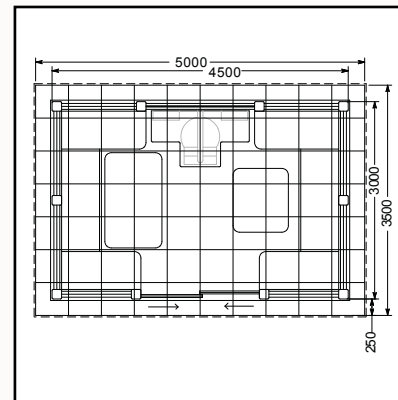
Eden



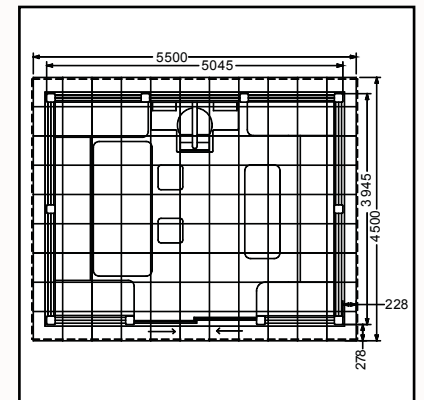
Windsor



Hampton



Weybridge



Kensington





Smarter, Greener Foundations for our Luxury Gazebos, Relaxation & Entertaining

Crown Pavilions are proud to introduce their most luxurious solution and offering to complement your gazebo purchase.

We now have a foundation solution that will complement your garden, landscaping and any future plans you may have. A robust, beautiful, natural tanalised redwood timber decked platform, carefully designed to accommodate your chosen pavilion.

Our tanalised redwood decked platforms are meticulously fitted onto our own ground screw foundation (subject to passing our required ground screw test to verify the suitability of the ground) and tanalised joists. As the decking and ground screws are raised off the ground, this will also ensure the longevity of your pavilion. We finish off all timber decked platforms with a neatly constructed timber skirt surround.

We are also excited to extend our offering should you decide to increase the size of your decked platform to be used as an additional area in your garden for relaxing, outdoor furniture, a BBQ, sun loungers or an additional entertaining area. The possibilities are endless and this is a very cost-effective way to create a beautifully landscaped area which looks clean, natural, low maintenance, and multi-purpose. You may also choose to soften the space with plants, mood lighting, and water features to create a truly stunning setting with your Crown Pavilion as the focal point.

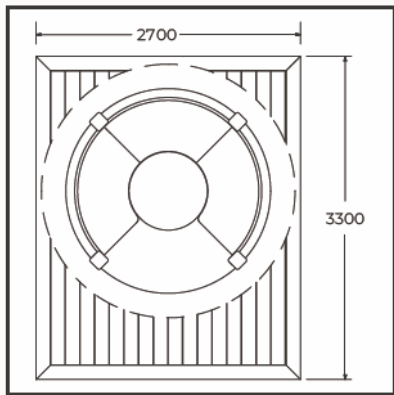
Ground Screws with Tanalised Redwood Deck Pricing

All below prices are subject to a site survey and ground screw test which incurs a one off payment of **£460** (inc VAT) to determine ground suitability.

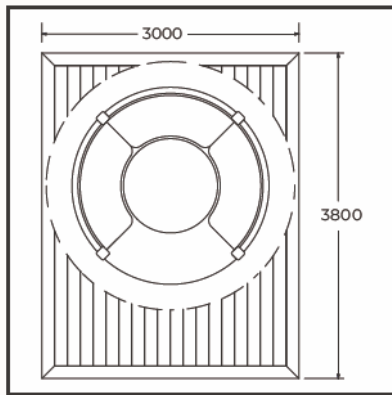
	(£) RRP	Exclusive Offer*
Rose	4,600	3,350
Chelsea	4,900	3,550
Tudor	5,200	3,750
Elizabeth	5,500	3,950
Guinevere	5,800	4,150
Edward	7,000	4,700
Wolsey	5,650	4,050
Ascot	6,600	4,450
Eden	7,750	5,200
Windsor	8,250	5,550
Hampton	11,400	7,350
Weybridge	7,750	5,200
Kensington	9,850	6,600

*Our exclusive offer is for **Crown Pavilions customers only**

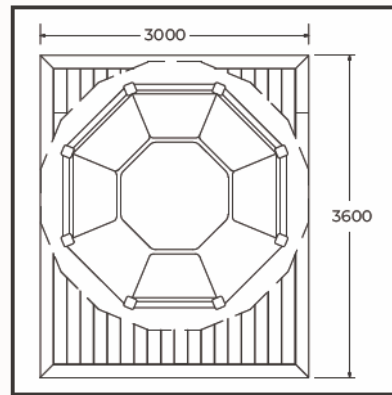
Please note that the ground must be level and flat, free from tree roots, debris or any concrete within the entire area ground screws are to be located. Please ensure the ground is cleared and taken back to soft ground prior to our arrival. Additional costs may be incurred if the ground is not as specified above.



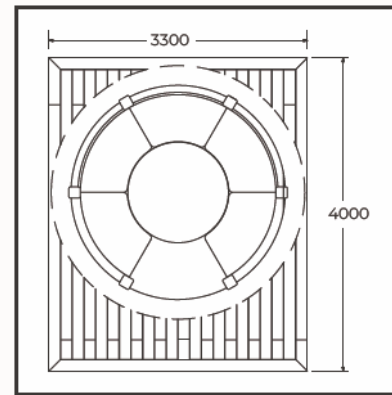
Rose



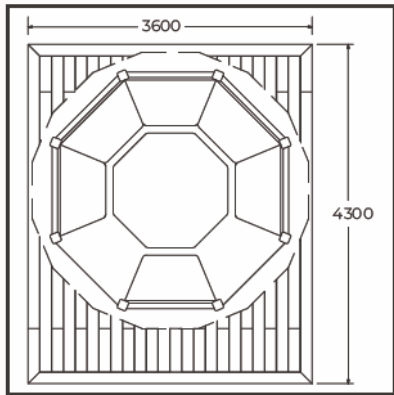
Chelsea



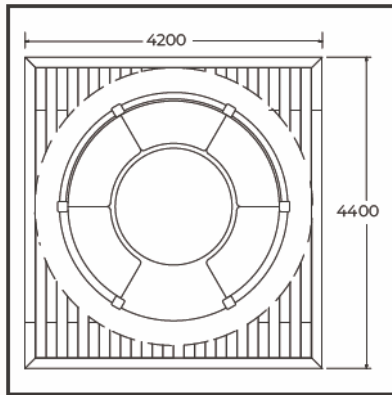
Tudor



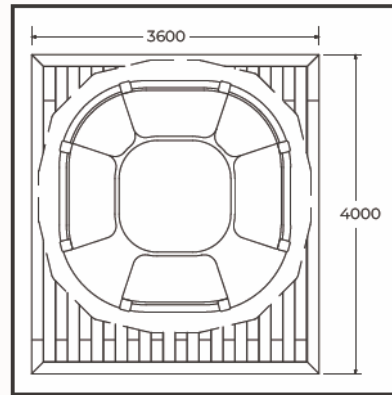
Elizabeth



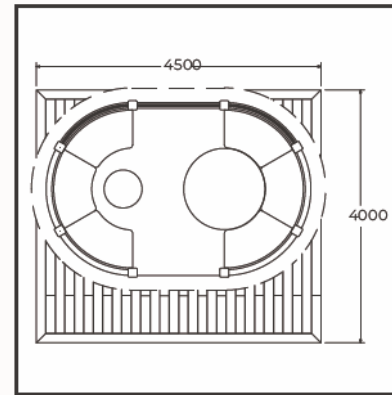
Guinevere



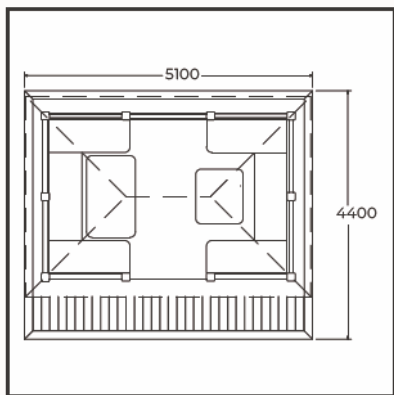
Edward



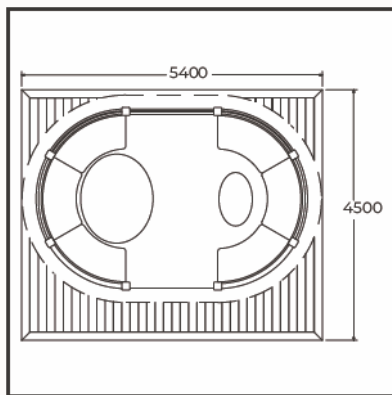
Wolsey



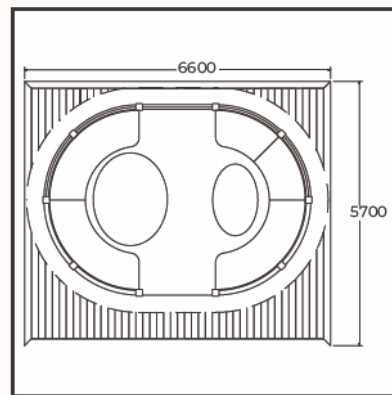
Ascot



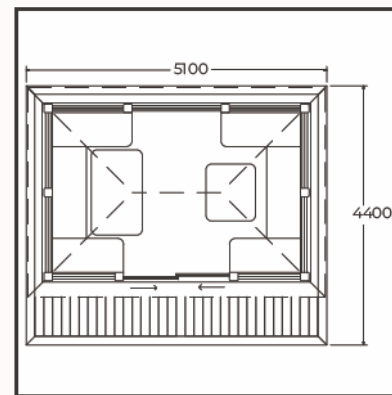
Eden



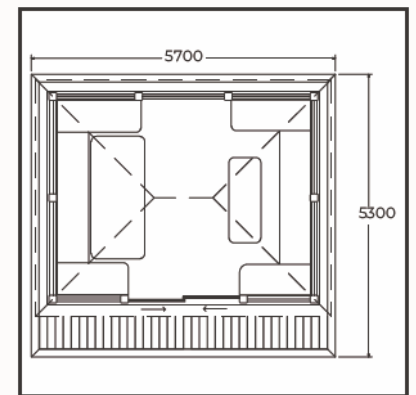
Windsor



Hampton



Weybridge



Kensington





Smarter, Greener Foundations for our Luxury Gazebos, Relaxation & Entertaining

Crown Pavilions are proud to introduce their most luxurious solution and offering to compliment your gazebo purchase.

We now have a foundation solution that will compliment your garden, landscaping and any future plans you may have. A robust, beautiful, virtually maintenance-free composite decked platform in a choice of colours, carefully designed to accommodate your chosen pavilion.

Our composite decked platforms are meticulously fitted onto our own ground screw foundation (subject to passing our required ground screw test to verify the suitability of the ground) and tanalised joists. As the decking and ground screws are off the ground this will also ensure the longevity of your pavilion. We finish off all composite decked platforms with a beautiful composite skirt surround.

We are also excited to extend our offering should you decide to increase the size of your decked platform to be used as an additional area in your garden for relaxing, outdoor furniture, a BBQ, sun loungers or an additional entertaining area. The possibilities are endless and this is a very cost effective way to create a beautifully landscaped area which looks clean, low maintenance, is multi-purpose and that you may decide to landscape and soften with plants, mood lighting, and water features to create a truly stunning space with your Crown Pavilion as the focal point.

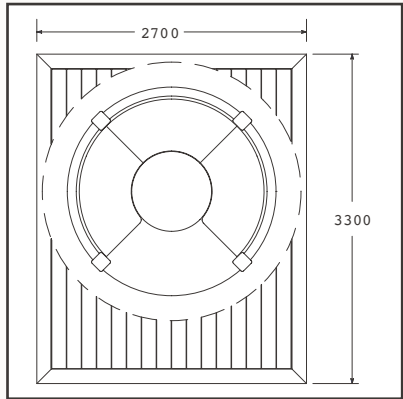
Ground Screws with Composite Decking Pricing

All below prices are subject to a site survey and ground screw test which incurs a one off payment of **£460** (inc VAT) to determine ground suitability.

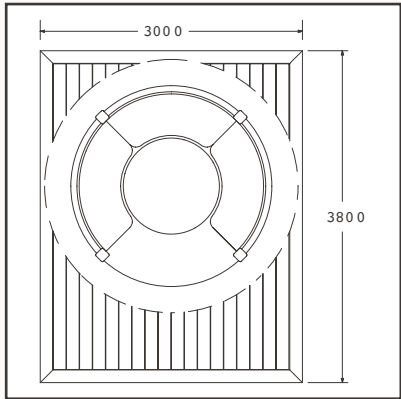
	(£) RRP	Exclusive Offer*
Rose	5,290	4,400
Chelsea	5,635	4,500
Tudor	5,980	4,750
Guinevere	6,670	5,400
Elizabeth	6,325	5,250
Wolsey	6,490	5,250
Edward	8,050	6,500
Wentworth	8,450	6,800
Ascot	7,590	6,200
Eden	8,900	7,350
Weybridge	8,900	7,250
Windsor	9,480	7,700
Orangery	11,350	9,200
Kensington	11,350	9,200
Hampton	13,110	10,600

*Our exclusive offer is for **Crown Pavilions customers only**

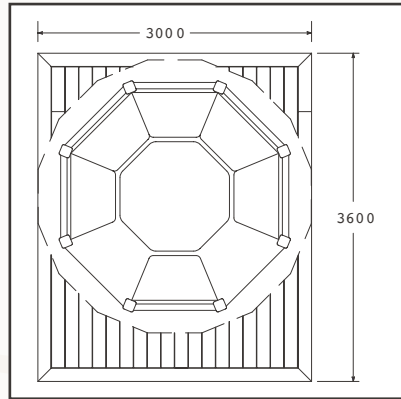
Please note that the ground must be level and flat, free from tree roots, debris or any concrete within the entire area ground screws are to be located. Please ensure the ground is cleared and taken back to soft ground prior to our arrival. Additional costs may be incurred if the ground is not as specified above.



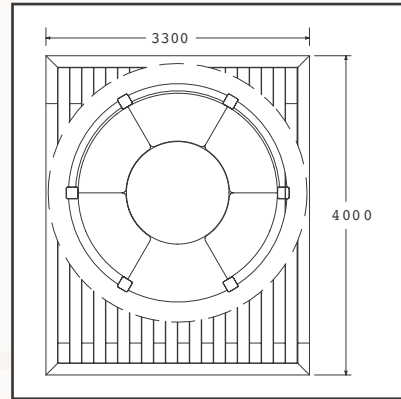
Rose



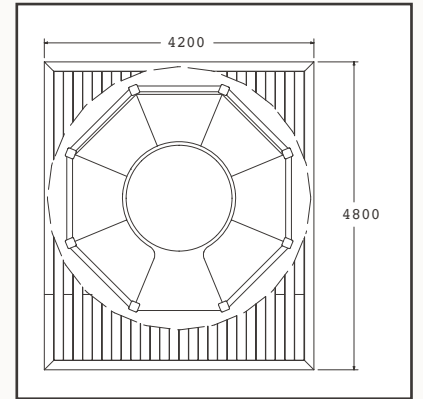
Chelsea



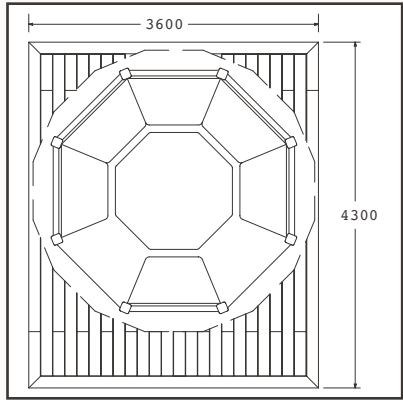
Tudor



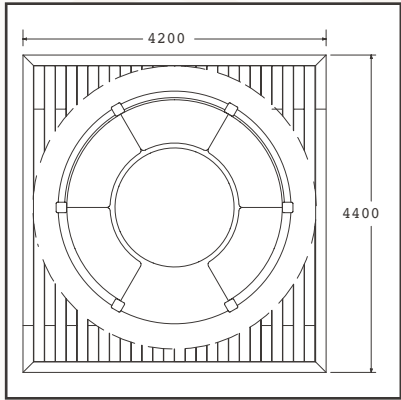
Elizabeth



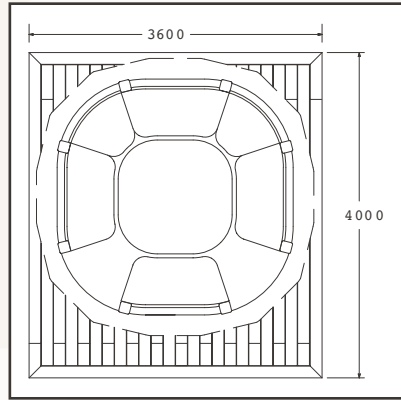
Wentworth



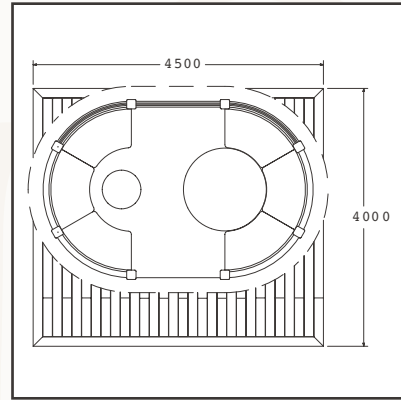
Guinevere



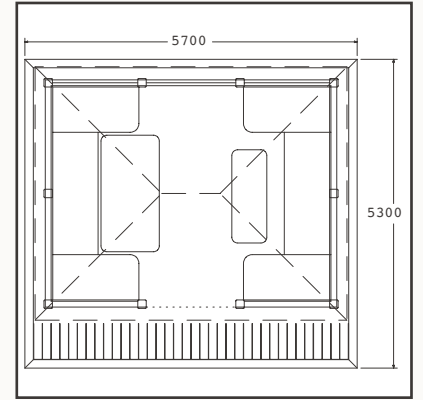
Edward



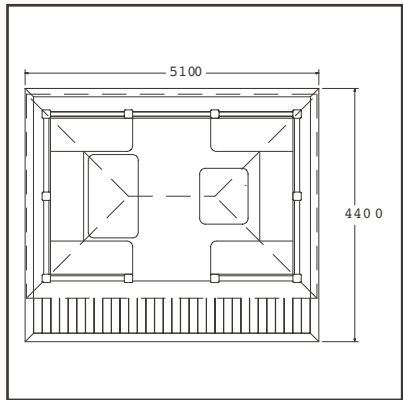
Wolsey



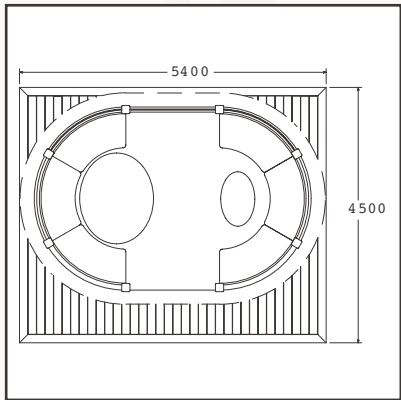
Ascot



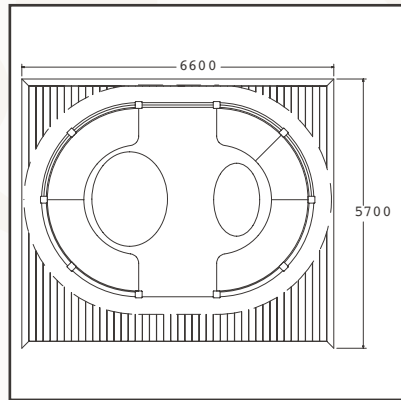
Orangery



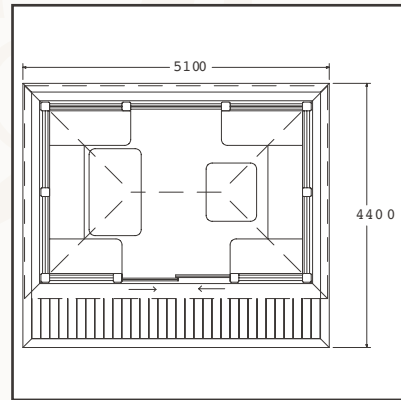
Eden



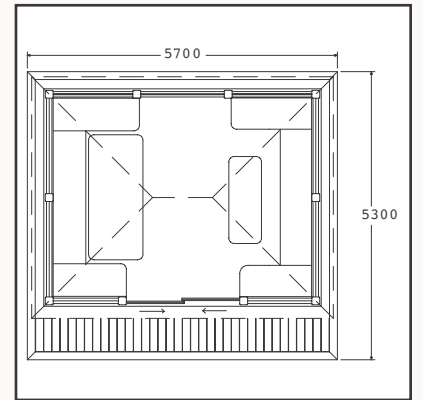
Windsor



Hampton



Weybridge



Kensington

A Greener, Faster Alternative to Concrete



Ground screws are revolutionising how we build. Unlike concrete, they can be installed in minutes, are weather-resistant, and create zero mess. Ideal for garden rooms, gazebos, and other outdoor structures, they offer strength without the environmental compromise.

- 👑 125+ year lifespan
- 👑 Installed in all weather
- 👑 Zero curing time
- 👑 Minimal soil disturbance
- 👑 Reusable and recyclable
- 👑 Lower CO₂ footprint than concrete



Grooved
Redwood
Decking



Burnt Oak/
Rosewood
(Reversible)



Pewter/
Onyx
(Reversible)



Platinum/
Sandstone
(Reversible)



Professional Ground
Testing by StopDigging



Eco-Friendly Technology,
Engineered to Last

Bespoke Service



Customise your decking (excludes curved shapes). This includes ground screws, decking, skirting and trims. Ground must be level and free from tree roots, debris or concrete. Please ensure ground is cleared completely and back to soft ground prior to our arrival.

£544 inc VAT per m²

***All prices inc VAT**

*Price includes ground screw installation (subject to approval of ground screw test), tanalised joists and decking (supplied and fitted) with skirting and trims to finish ready for the delivery and installation of your pavilion. Should you want a larger deck than included within the prices stated then please speak to one of our team and we can price accordingly based on the desired m² increase.



Our Showcase Collection



Showrooms

This brochure showcases our beautiful gazebo and hybrid collections but of course there is never any substitute for seeing our garden buildings in person: to feel the comfort of the cushions, take in the natural scent of the timber, run your hand along the smooth contours of the carpentry and appreciate the quality of our craftsmanship first-hand.

A selection of the buildings in this brochure can be viewed in our showrooms along with a selection of our other most popular garden rooms and accessories.

Experienced staff will also be on hand to answer any questions and talk about our designs in more detail



Alton Garden Centre (Essex)

Arterial Road (A127), Wickford, Essex SS12 9JG

Call 01491-612-820

Van Hage (Hertfordshire)

Pepper Hill, Great Amwell, Herts SG12 9RP

Call 01491-612-820

Frosts Garden Centre (Buckinghamshire)

Newport Road, Woburn Sands, Milton Keynes,
Buckinghamshire MK17 8UE

Call 01491-612-820

Chessington Garden Centre (London)

Leatherhead Rd, Chessington KT9 2NG

Call 01491-612-820

Longacres Garden Centre (Surrey)

London Road, Bagshot, Surrey GU19 5JB

Call 01491-612-820

Bridgemere Garden Centre (Cheshire)

Bridgemere, Nantwich, Cheshire, CW5 7SN

Call 01491-612-820



The marque of excellence

HEAD OFFICE

6b Lys Mill, Watlington, Oxfordshire OX49 5EQ
Tel: 01491-612-820
sales@crownpavilions.com

C R O W N P A V I L I O N S . C O M

