



CROWN PAVILIONS

The World's Finest
Luxury Gazebos™

Gazebo Foundations
Eco Grid, Tanalised & Composite Options

The marque of excellence

Why Choose a Crown EcoGrid Foundation?

- Lower cost alternative to a concrete base.
- Ecobase creates much less mess in the garden than installing a concrete base – the garden returns to its natural attractive state much more quickly.
- No need to find a local contractor to lay the base as Crown Pavilions in house team will lay it instead.
- Your gazebo can be installed more quickly, as there is no base contractor's lead time nor concrete slab base curing time to factor in.
- By using a 100% recycled and reusable plastic grid system for the base, you are helping the environment.
- Better for the gazebo - the floor bearers of the gazebo are preserved for longer by siting them on Ecobase's honey comb structure on which rainwater cannot puddle (if the concrete base is not installed correctly)
- Encourages the use of a French drain around the perimeter of the building which would reduce unsightly rainwater splashback on the lower timbers of the gazebo.



Apricot



Cotswold



Dove Grey



Flamingo



Golden Flint



Ice Blue



Multi Mix



Polar White



Yorkshire
Cream

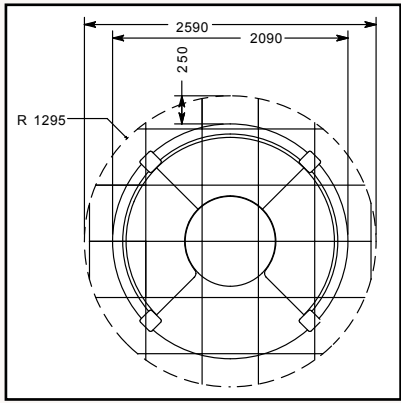
Crown Eco Grids Pricing

All below prices are subject to a site survey and ground screw test which incurs a one off payment of **£460** (inc VAT) to determine ground suitability.

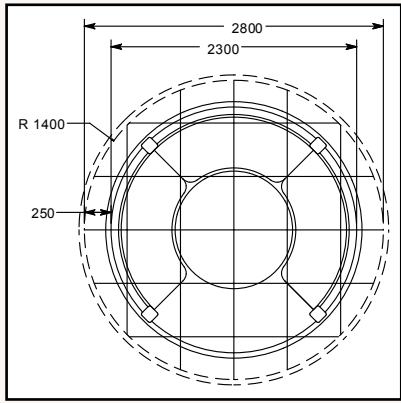
	(£) RRP	Exclusive Offer*
Rose	3,000	2,750
Chelsea	3,000	2,750
Tudor	3,200	2,850
Elizabeth	3,200	2,850
Guinevere	3,300	2,950
Edward	3,500	3,150
Wolsey	3,300	2,950
Ascot	3,700	3,300
Eden	5,000	4,400
Windsor	6,300	5,600
Hampton	7,000	6,300
Weybridge	5,000	4,400
Kensington	5,500	4,850

*Our exclusive offer is for **Crown Pavilions customers only**

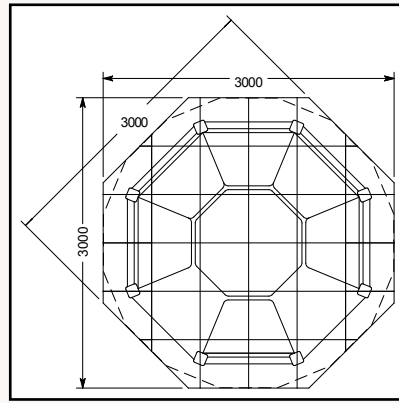
Please note that our Eco Grids are only suitable on pre-existing flat and level ground. If your ground is uneven or has a fall in any direction, please either contract a local builder to level and compact the ground or our team can quote to do this as an additional service prior to our Eco Grid team arriving on site to carry out your installation. Please note that if the ground is not level and compact on our arrival we may not be able to carry out the installation and additional charges may be incurred if we need to return at a later stage. Please feel free to contact us if there is any doubt and we would be delighted to assist you further.



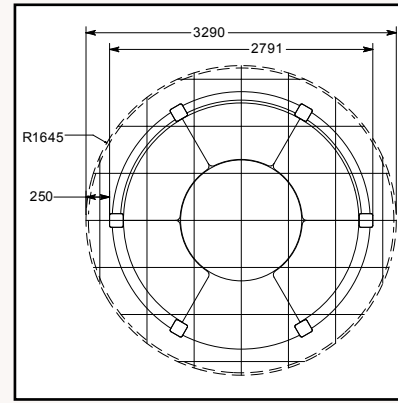
Rose



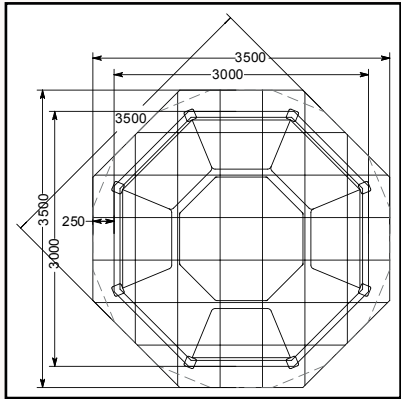
Chelsea



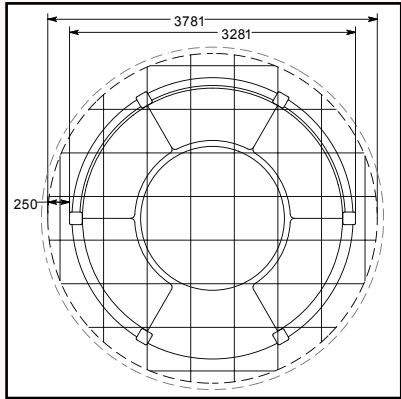
Tudor



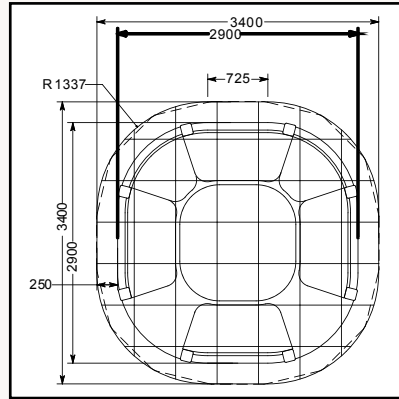
Elizabeth



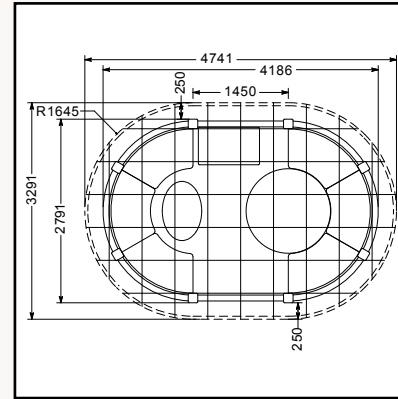
Guinevere



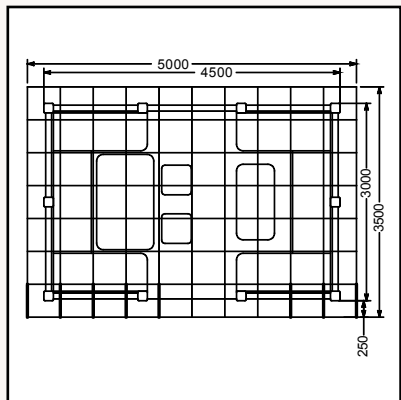
Edward



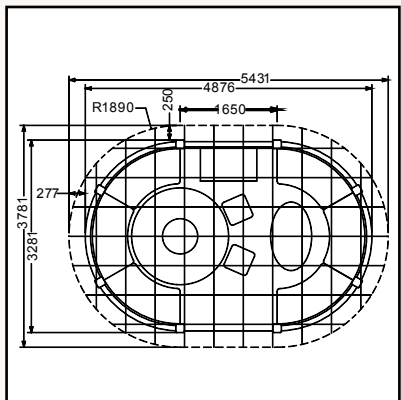
Wolsey



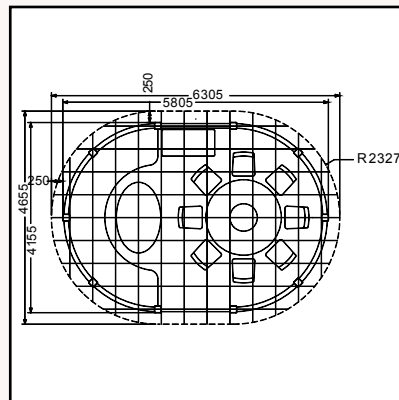
Ascot



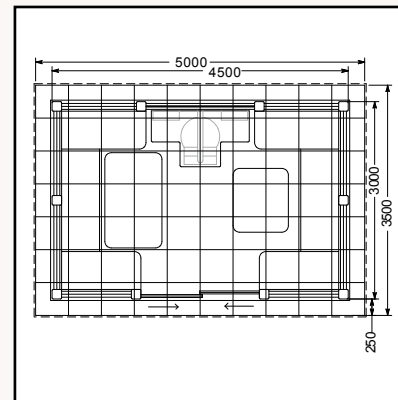
Eden



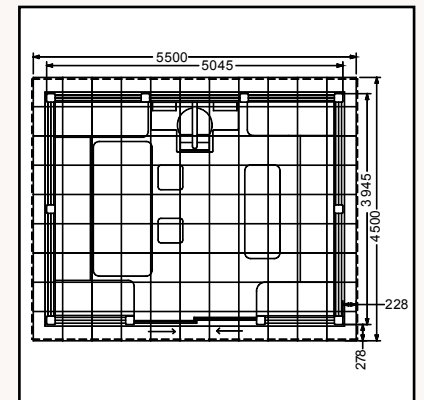
Windsor



Hampton



Weybridge



Kensington





Smarter, Greener Foundations for our Luxury Gazebos, Relaxation & Entertaining

Crown Pavilions are proud to introduce their most luxurious solution and offering to complement your gazebo purchase.

We now have a foundation solution that will complement your garden, landscaping and any future plans you may have. A robust, beautiful, natural tanalised redwood timber decked platform, carefully designed to accommodate your chosen pavilion.

Our tanalised redwood decked platforms are meticulously fitted onto our own ground screw foundation (subject to passing our required ground screw test to verify the suitability of the ground) and tanalised joists. As the decking and ground screws are raised off the ground, this will also ensure the longevity of your pavilion. We finish off all timber decked platforms with a neatly constructed timber skirt surround.

We are also excited to extend our offering should you decide to increase the size of your decked platform to be used as an additional area in your garden for relaxing, outdoor furniture, a BBQ, sun loungers or an additional entertaining area. The possibilities are endless and this is a very cost-effective way to create a beautifully landscaped area which looks clean, natural, low maintenance, and multi-purpose. You may also choose to soften the space with plants, mood lighting, and water features to create a truly stunning setting with your Crown Pavilion as the focal point.

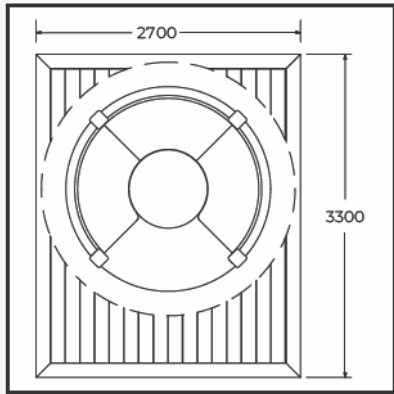
Ground Screws with Tanalised Redwood Deck Pricing

All below prices are subject to a site survey and ground screw test which incurs a one off payment of **£460** (inc VAT) to determine ground suitability.

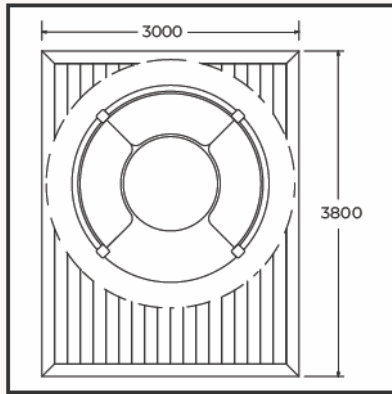
	(£) RRP	Exclusive Offer*
Rose	4,600	3,350
Chelsea	4,900	3,550
Tudor	5,200	3,750
Elizabeth	5,500	3,950
Guinevere	5,800	4,150
Edward	7,000	4,700
Wolsey	5,650	4,050
Ascot	6,600	4,450
Eden	7,750	5,200
Windsor	8,250	5,550
Hampton	11,400	7,350
Weybridge	7,750	5,200
Kensington	9,850	6,600

*Our exclusive offer is for **Crown Pavilions customers only**

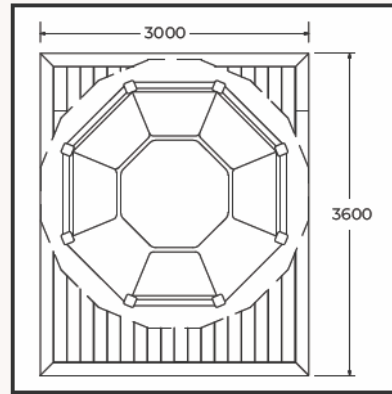
Please note that the ground must be level and flat, free from tree roots, debris or any concrete within the entire area ground screws are to be located. Please ensure the ground is cleared and taken back to soft ground prior to our arrival. Additional costs may be incurred if the ground is not as specified above.



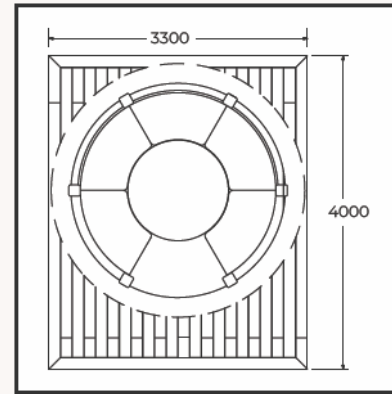
Rose



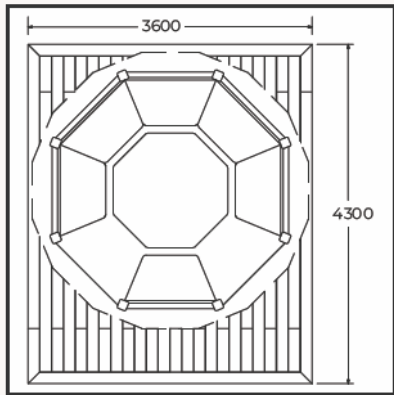
Chelsea



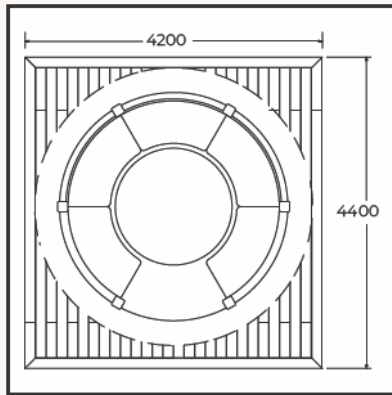
Tudor



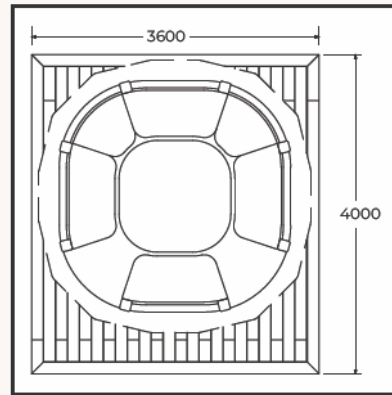
Elizabeth



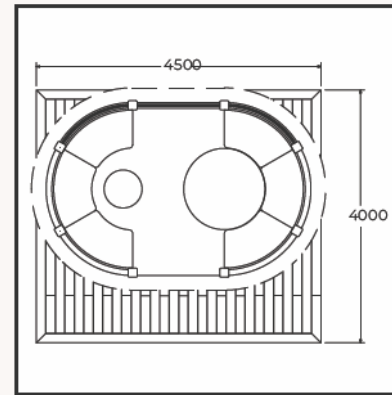
Guinevere



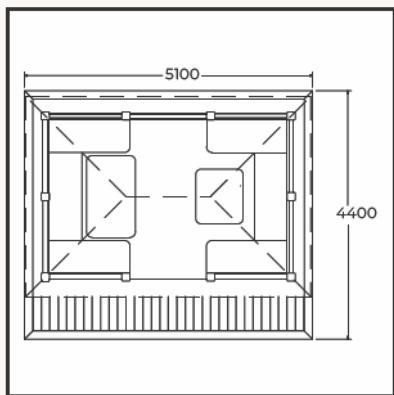
Edward



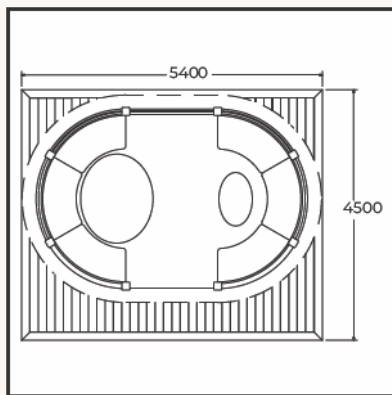
Wolsey



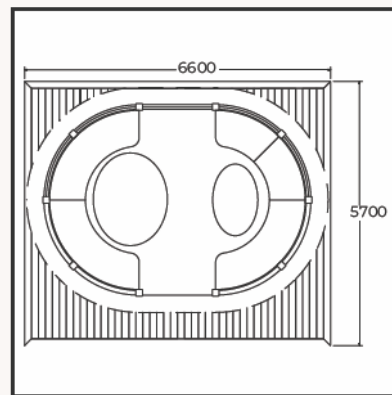
Ascot



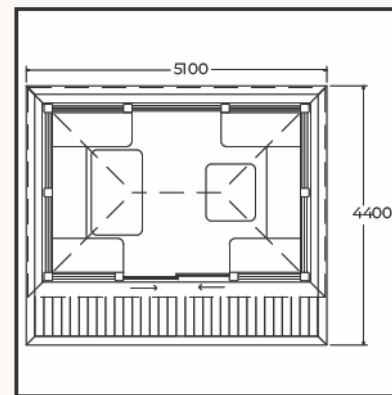
Eden



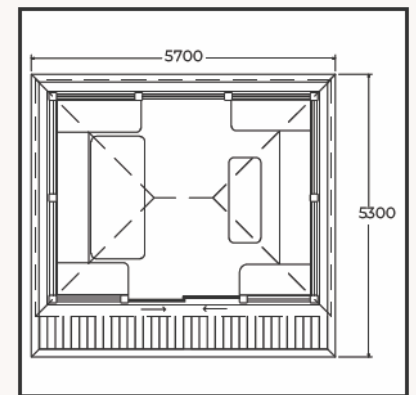
Windsor



Hampton



Weybridge



Kensington





Smarter, Greener Foundations for our Luxury Gazebos, Relaxation & Entertaining

Crown Pavilions are proud to introduce their most luxurious solution and offering to compliment your gazebo purchase.

We now have a foundation solution that will compliment your garden, landscaping and any future plans you may have. A robust, beautiful, virtually maintenance-free composite decked platform in a choice of colours, carefully designed to accommodate your chosen pavilion.

Our composite decked platforms are meticulously fitted onto our own ground screw foundation (subject to passing our required ground screw test to verify the suitability of the ground) and tanalised joists. As the decking and ground screws are off the ground this will also ensure the longevity of your pavilion. We finish off all composite decked platforms with a beautiful composite skirt surround.

We are also excited to extend our offering should you decide to increase the size of your decked platform to be used as an additional area in your garden for relaxing, outdoor furniture, a BBQ, sun loungers or an additional entertaining area. The possibilities are endless and this is a very cost effective way to create a beautifully landscaped area which looks clean, low maintenance, is multi-purpose and that you may decide to landscape and soften with plants, mood lighting, and water features to create a truly stunning space with your Crown Pavilion as the focal point.

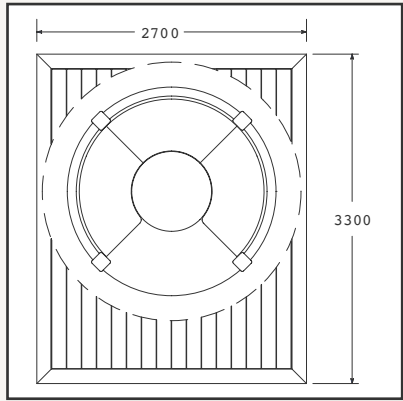
Ground Screws with Composite Decking Pricing

All below prices are subject to a site survey and ground screw test which incurs a one off payment of **£460** (inc VAT) to determine ground suitability.

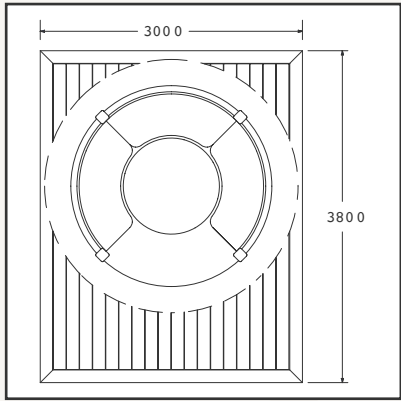
	(£) RRP	Exclusive Offer*
Rose	5,290	4,400
Chelsea	5,635	4,500
Tudor	5,980	4,750
Guinevere	6,670	5,400
Elizabeth	6,325	5,250
Wolsey	6,490	5,250
Edward	8,050	6,500
Wentworth	8,450	6,800
Ascot	7,590	6,200
Eden	8,900	7,350
Weybridge	8,900	7,250
Windsor	9,480	7,700
Orangery	11,350	9,200
Kensington	11,350	9,200
Hampton	13,110	10,600

*Our exclusive offer is for **Crown Pavilions customers only**

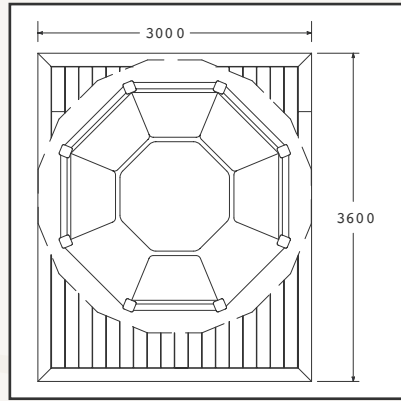
Please note that the ground must be level and flat, free from tree roots, debris or any concrete within the entire area ground screws are to be located. Please ensure the ground is cleared and taken back to soft ground prior to our arrival. Additional costs may be incurred if the ground is not as specified above.



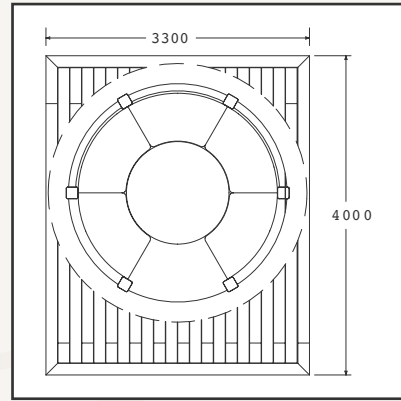
Rose



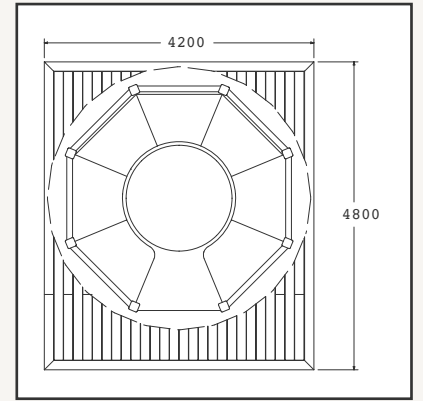
Chelsea



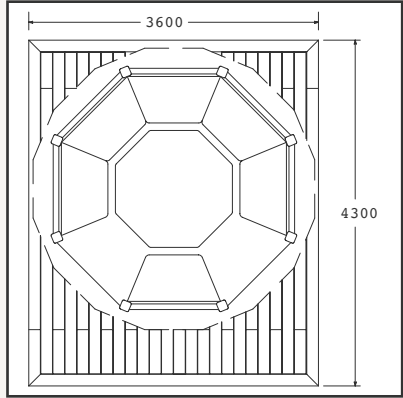
Tudor



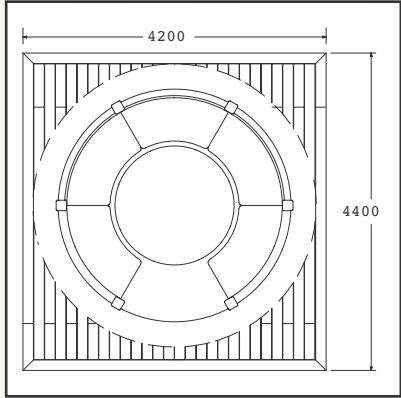
Elizabeth



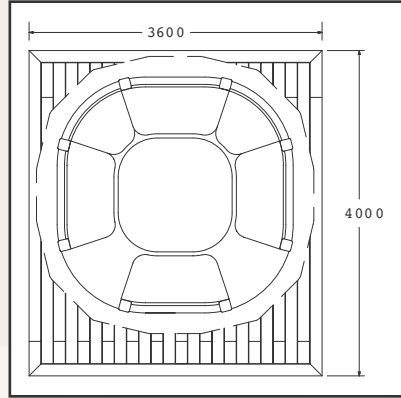
Wentworth



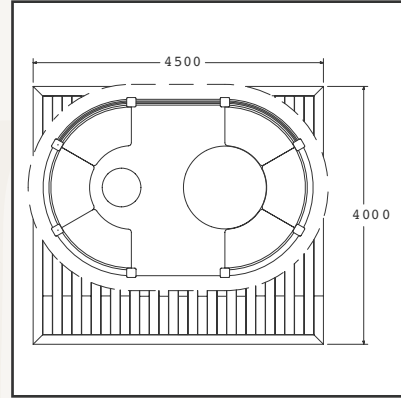
Guinevere



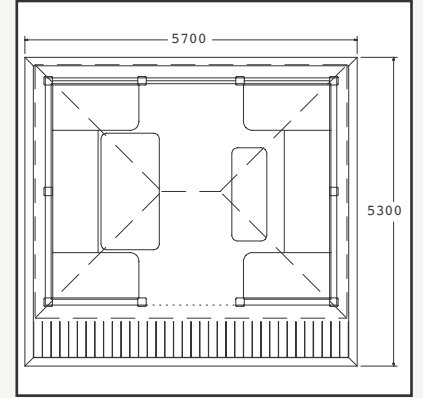
Edward



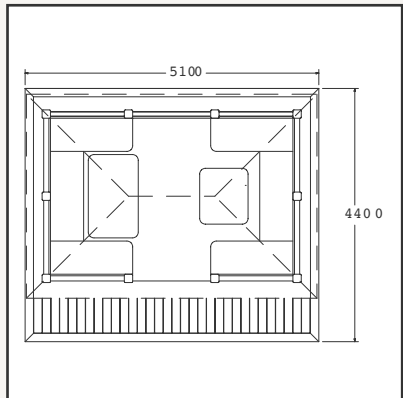
Wolsey



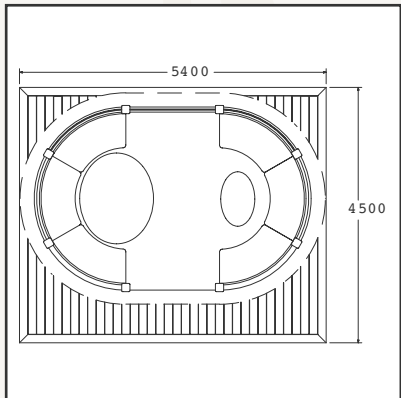
Ascot



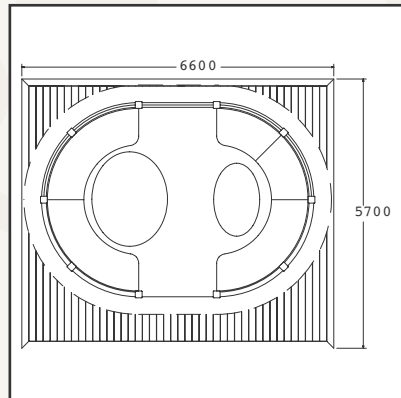
Orangery



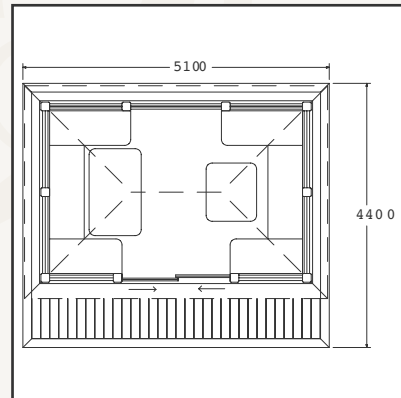
Eden



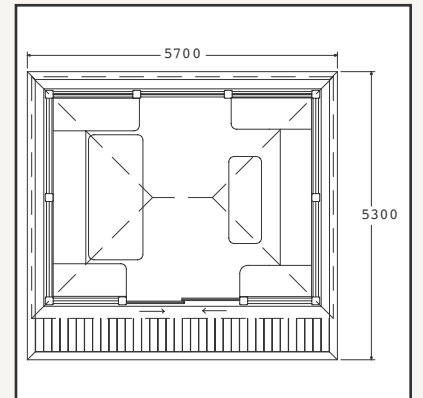
Windsor



Hampton



Weybridge



Kensington

A Greener, Faster Alternative to Concrete



Ground screws are revolutionising how we build. Unlike concrete, they can be installed in minutes, are weather-resistant, and create zero mess. Ideal for garden rooms, gazebos, and other outdoor structures, they offer strength without the environmental compromise.

- 👑 125+ year lifespan
- 👑 Installed in all weather
- 👑 Zero curing time
- 👑 Minimal soil disturbance
- 👑 Reusable and recyclable
- 👑 Lower CO₂ footprint than concrete



Grooved
Redwood
Decking



Burnt Oak/
Rosewood
(Reversible)



Pewter/
Onyx
(Reversible)



Platinum/
Sandstone
(Reversible)



Professional Ground
Testing by StopDigging



Eco-Friendly Technology,
Engineered to Last

Bespoke Service



Customise your decking (excludes curved shapes). This includes ground screws, decking, skirting and trims. Ground must be level and free from tree roots, debris or concrete. Please ensure ground is cleared completely and back to soft ground prior to our arrival.

£544 inc VAT per m²

***All prices inc VAT**

*Price includes ground screw installation (subject to approval of ground screw test), tanalised joists and decking (supplied and fitted) with skirting and trims to finish ready for the delivery and installation of your pavilion. Should you want a larger deck than included within the prices stated then please speak to one of our team and we can price accordingly based on the desired m² increase.





The marque of excellence

HEAD OFFICE

6b Lys Mill, Watlington, Oxfordshire OX49 5EQ
Tel: 01491-612-820
sales@crownpavilions.com

C R O W N P A V I L I O N S . C O M

